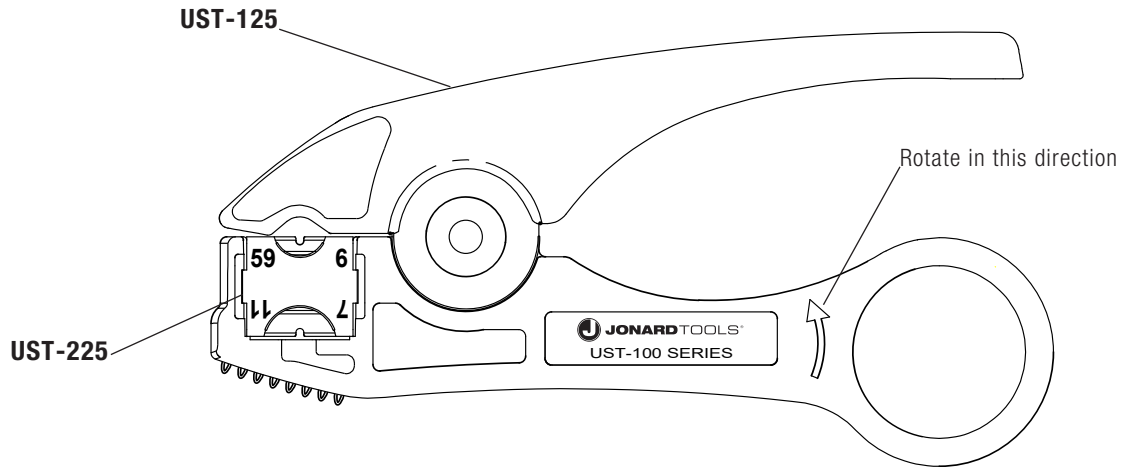


Instructions for UST-125 Coaxial Cable Stripper

The UST-125 strips coaxial cables for video installations. It includes the UST-225 cartridge and is used to strip RG59, RG6, RG6 Tri & Quad shield, RG7 & RG11 coaxial cables to specific lengths. The cartridge provides a 2-level strip for "F" connector termination and is designed with a cable stop. The black Velcro® strip on the tool is used for folding back the braided shield of cable.



TO USE:

1. Squeeze the tool jaws open and insert the cable to the blade stop and allow the jaws to close.
 - When inserting cable, insert cable up to the blade stop. Do not force it into position by pushing hard.
 - The UST-225 has a strip stop that allows you to make the same size center conductor on every prep provided the cable has been cut squarely and it is inserted all the way into the tool.
2. Holding the cable in one hand and the tool in the other, rotate the tool around the cable several times in the direction of the arrow.
 - Rotate tool forward only. For RG6 cable rotate forward 3 to 5 times, and 5 to 6 times for RG11 cable. **DO NOT** rotate tool forward then backwards as this will result in a substandard prep.
 - Excessive spinning can disturb the braid requiring extra time to fold it back.
3. Using the tool, pull to remove the jacket from the cable.
 - Use the Velcro® strip on the bottom of the tool to pull the braid back evenly and completely.
4. Reverse the blade for the RG7/11 or RG59/6 cable.
5. Replace the blade cartridge when you see signs the braid is not being cut off, the braid wrapping around the center conductor, the dielectric foil is damaged or the jacket is not being cut off properly.