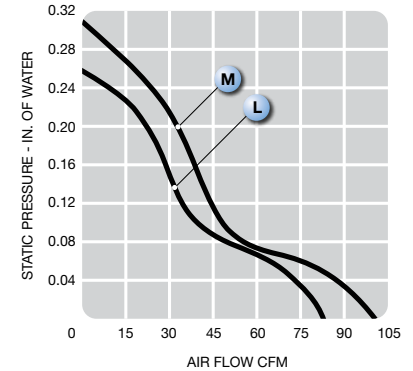
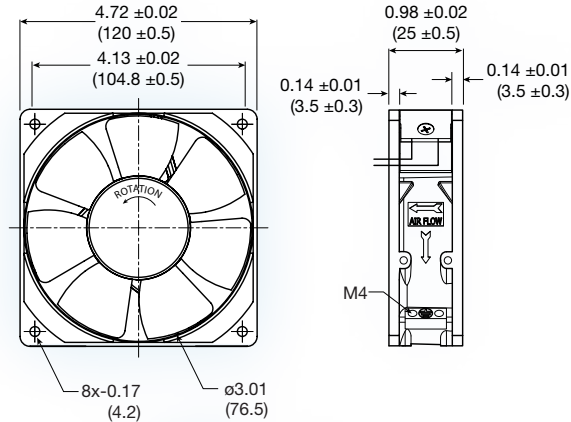




LPC12B series



(120 x 120 x 25 mm)

4.72 x 4.72 x 0.98 inches

Features: low power consumption, global input voltage

Operating voltage: 90 ~ 264 VAC

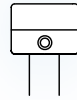
Construction: magnesium die cast frame with UL94V-0 plastic impeller

Bearing option: motor quality ball bearings

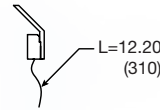
Motor: electronically comutated

Air Flow: air exhaust over struts

Connection: terminal type or lead wire



Terminal



Lead Wire

Model No.	Rated Voltage V	Freq. HZ	Input Power W	Speed RPM	Air Volume		Max. Static Pressure (H ₂ O)		Sound Noise dbA	Weight g
					M ³ /Min.	CFM	MM	INCH		
LPC12B99-__L	90 ~ 264	50/60	5.0	2,800	2.3	80	6.3	0.25	44	226
LPC12B99-__M	90 ~ 264	50/60	5.5	3,200	2.8	100	7.8	0.31	48	226