

CY8CKIT-143 PSoC® 4 BLE 256K MODULE

CY8CKIT-143 PSoC® 4 BLE 256K Module is an easy-to-use solution for creating a complete BLE system. It features a PSoC 4 BLE device with 256 KB internal flash, 24-MHz and 32.768-kHz crystals, a PCB antenna, and other passives while providing access to all GPIOs of the device.

For more information on Cypress’s BLE solutions visit www.cypress.com/BLE

PSoC 4 BLE is an ARM® Cortex®-M0 based single-chip solution that integrates a programmable analog front end, programmable digital peripherals, CapSense® touch-sensing technology, and a Bluetooth® Low Energy or Bluetooth Smart radio.

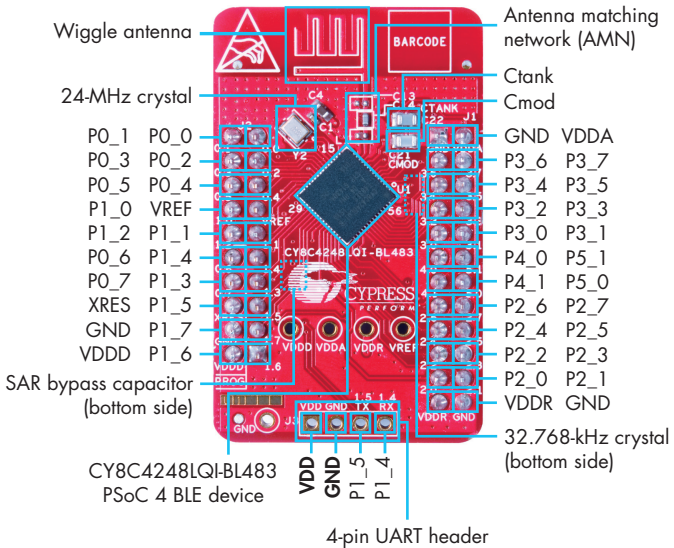


Fig-1: Pinout Description for PSoC 4 BLE Module

Note: To apply power to the module, use the VDD pin (1.9 V - 5.0 V) and GND pin.

CY8CKIT-143 PSoC® 4 BLE 256K MODULE

STANDALONE USE WITH PSoC CREATOR™ IDE AND CY8CKIT-002 MINIPROG3

Step 1: Select the 5-pin connector setting in PSoC Creator or PSoC Programmer.

Step 2: Use 0.1" male headers (not included) or jumper wires to connect the MiniProg3 to the module.



Pin Mapping	
CY8CKIT-002	CY8CKIT-143
VTARG	VDD
GND	GND
RES	XRES
SCLK	PO_7
SDAT	PO_6

Fig-2: Programming and Debugging with CY8CKIT-002 MiniProg3

USING THE CY8CKIT-143 MODULE WITH CY8CKIT-042-BLE PIONEER KIT

Step 1: Plug the module on the CY8CKIT-042-BLE Pioneer Kit Baseboard.

Step 2: Create your design in PSoC Creator IDE and use the BLE Pioneer Kit to program and debug.

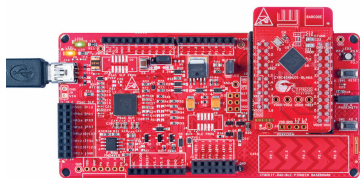


Fig-3: Programming and Debugging with CY8CKIT-042-BLE Pioneer Baseboard

The CY8CKIT-143 module is intended to be used for evaluation of hardware and software in a laboratory environment. This module radiates radio frequency energy and has not been tested for compliance with limits applicable under any standard. Operation of this module may cause interference with radio communications. Cypress recommends that the module should only be used in a shielded room. Contact support@cypress.com for details.

For more information about this kit, visit www.cypress.com/CY8CKIT-143

