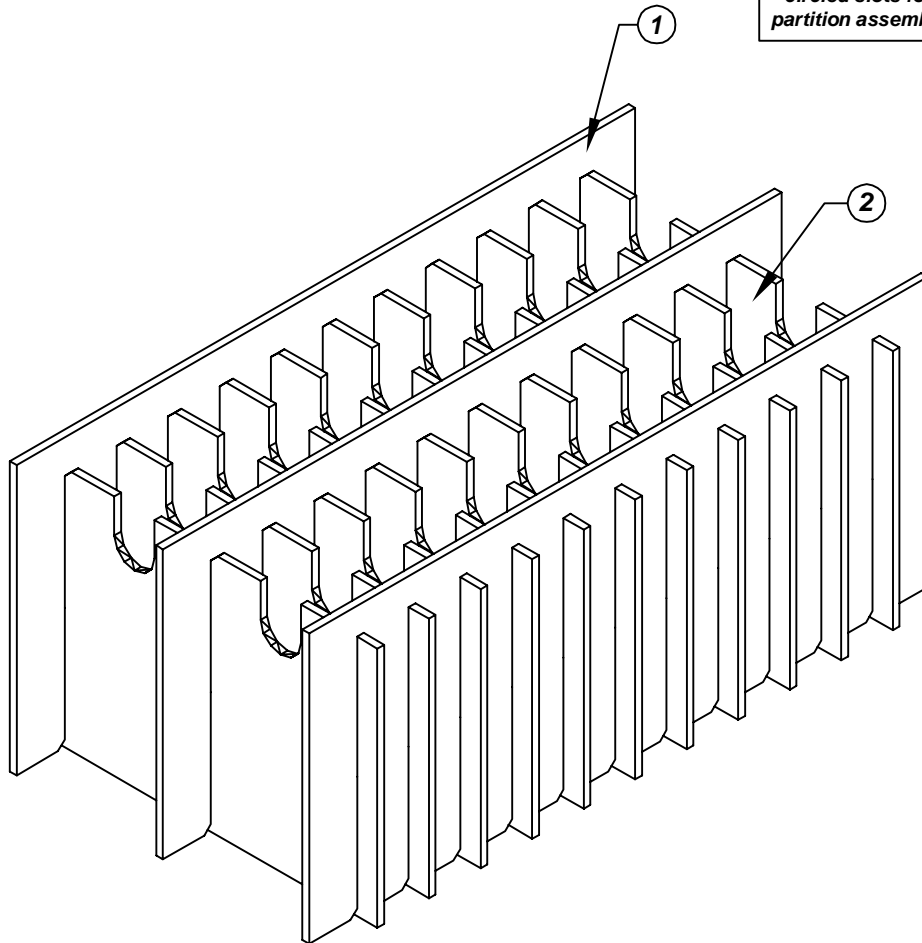
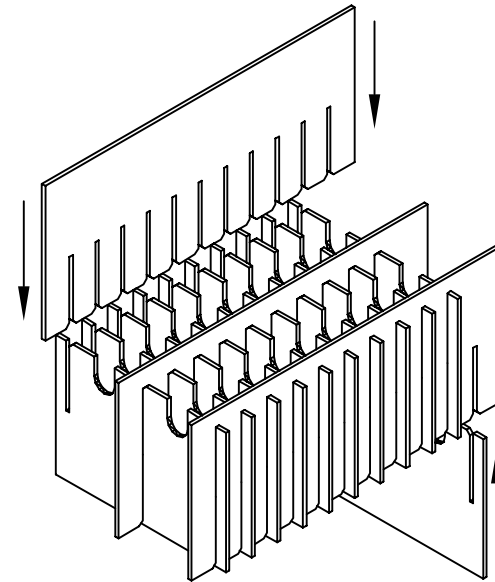
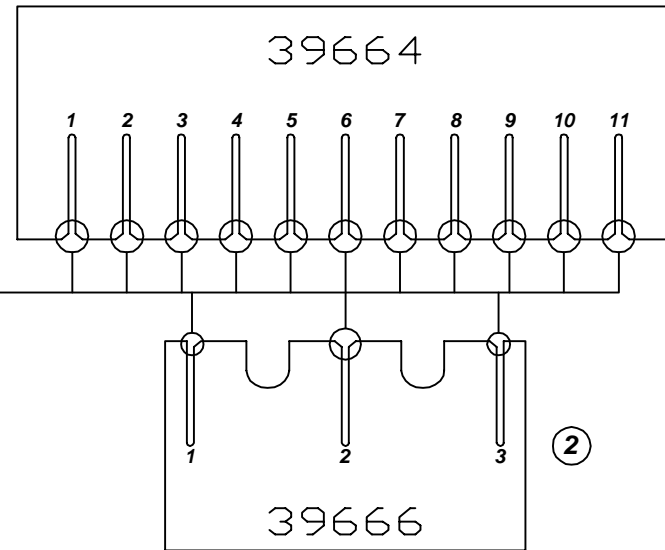


Assembly Instructions for - 37261



Use only the circled slots for partition assembly



Made in America

F/N ①	Part # 39664	Dimensions: 20-1/4" x 23"	Description: 440-HLP Long Partition	Qty: 3
F/N ②	Part # 39666	Dimensions: 18-1/4" x 12-5/8"	Description: 440-HSP Short Partition	Qty: 11

37261 - 24 Cell Inplant Handler Cell Size - 10" x 5-3/16" x 1-5/8"

Notes:
For use with the following storage containers & lid:
37514 - Storage Container
37552 - Lid

PROTEKTIVE PAK
13520 MONTE VISTA AVENUE, CHINO, CA 91710
PHONE (909) 627-2578, FAX (909) 363-7331
ProtektivePak.com



DRAWING NUMBER
IPH-37261

DATE
Nov.
2007