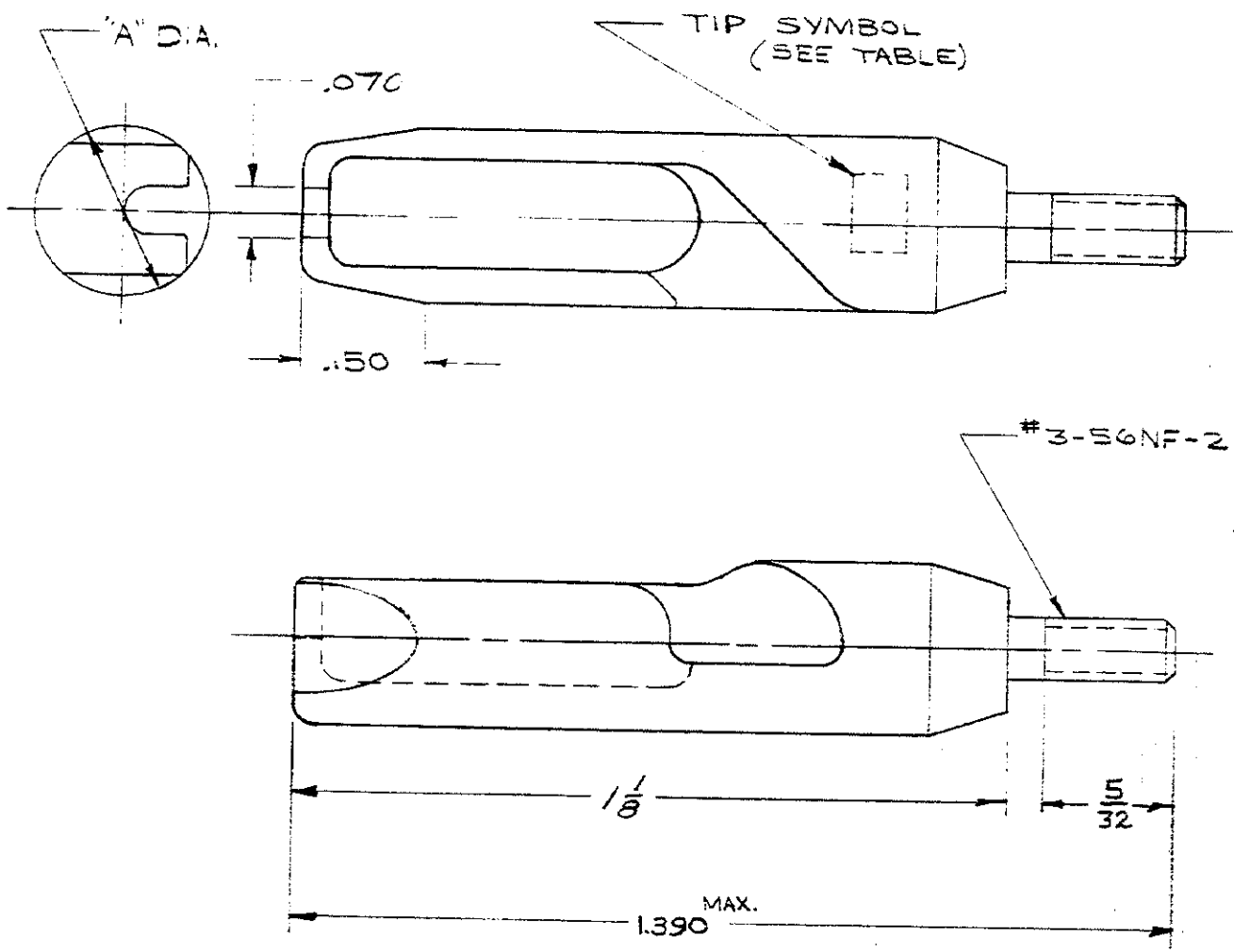


NUMBER
C-380429



TIP NUMBER	TIP SYMBOL	"A" DIA.	USED ON
380429-1	E1	.250	380375-3, 380430-1, -2, 380431-1, -2
380429-2			
380429-3	E3	.250	380429-3
380429-4	E4	.210	

DIMENSIONS IN INCHES. DO NOT SCALE PRINT.

AMP INCORPORATED
HARRISBURG, PENNA.

				©1959 BY AMP INCORPORATED. ALL RIGHTS RESERVED. AMP PRODUCTS COVERED BY PATENTS AND/OR PATENTS PENDING.		CUSTOMER COPY REFERENCE ONLY	
				MATERIAL AND FINISH //		AMP INCORPORATED HARRISBURG, PENNA.	
R-1	Loc M was R	PF	-	8/10/60	CLASS //		
R	REDESIGNED	4	SEP	3/1/65	WIRE — RANGE — INSULATION // //		
P	REDRAWN	CTE	MA	1/1/63	TYPE //		
REVISION RECORD				DR	CHK	DATE	TOLERANCE EXCEPT AS NOTED ± .015 ± 1° 0'
DR	K.A. PAVOLITZ	1/1/65	DE		SCALE	LOC	NO
CHK	N. T. ...	1/1/65	APP	C. ...	11/1/65	MA	C-380429
				NAME TIP - INSERTION TOOL			
				REV R-1			