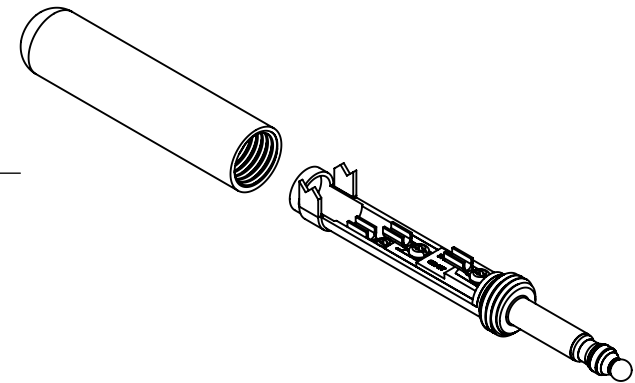
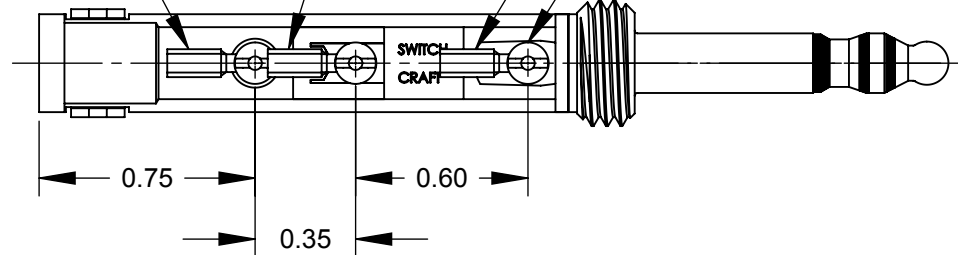
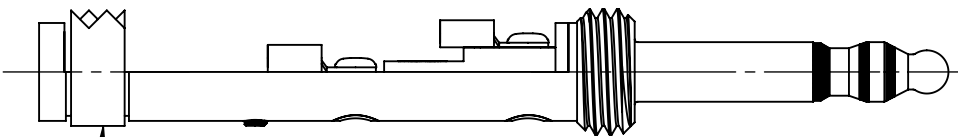


SLEEVE TERMINAL SEE NOTE 1
 RING TERMINAL SEE NOTE 1
 TIP TERMINAL SEE NOTE 1
 SCREWS (3) SEE NOTE 1

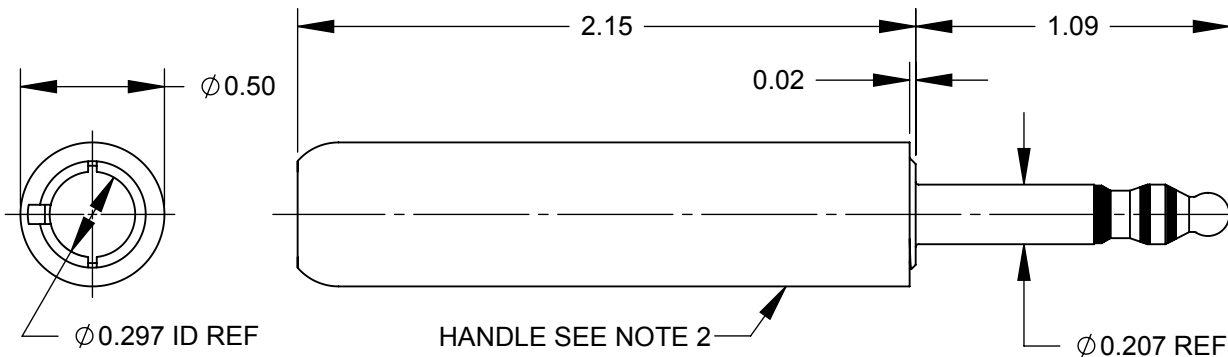


U CLAMP SEE NOTE 1



NOTES

1. TERMINALS, SCREWS & U CLAMP ARE SHIPPED UNASSEMBLED AS K171X HARDWARE KIT.
2. HANDLE IS SHIPPED UNASSEMBLED.
3. MATERIALS:
 PLUG - BRASS
 U CLAMP - STEEL, TIN PLATED
 TERMINALS - BRASS, TIN PLATED
 SCREWS - BRASS
 HANDLE & INSULATION - THERMOPLASTIC
4. THIS PRODUCT IS RoHS COMPLIANT.



CUSTOMER DRAWING

					THIS DRAWING DESCRIBES A DESIGN CONSIDERED PROPRIETARY IN NATURE, DEVELOPED AND MANUFACTURED BY SWITCHCRAFT INC. AND IS RELEASED ON A CONFIDENTIAL BASIS FOR IDENTIFICATION PURPOSES ONLY.				
					SIZE *	WIDTH *	MULT *	LBS/M *	TEMPER *
					FINISH *			MATERIAL *	
					SPEC No. *			SPEC No. *	
					FIRST USED ON *		SCALE 1.5:1		
					DATE DRAWN	BY	CHKD	APVD	
					3-19-09	SRC	SRC	TJK	
							3-19-09	05-22-09	
					NAME			PART No.	
					PLUG ASSEMBLY, RoHS			480X	
								REV A	
UNLESS OTHERWISE SPECIFIED									
1. ALL DIMENSIONS IN INCHES									
- TWO PLACE DECIMALS ±0.02									
- THREE PLACE DECIMALS ±0.005									
A	26369	3-30-09	JEB	TJK					
REV	ECO NUMBER	DATE	BY	APVD					
REVISIONS					DO NOT SCALE DRAWING				

SolidWorks CAD File

