



HIGH-PERFORMANCE, HIGH-SPEED
FPGA DESIGN PLATFORM

VIRTEX-6 FPGA ML605 EVALUATION KIT

➤ Accelerated Development

- Fewer resources under tighter deadlines, new standards, and shifting requirements make for a challenging design environment
- Market expectations for higher performance and more intelligent features require new approaches to developing electronic systems
- Today's systems call for advanced memories, connectivity, digital signal, and embedded processing, all working together

➤ Simpler and Smarter Methodologies

- Xilinx Targeted Design Platforms enable software and hardware designers alike to leverage open standards, common design methodologies, development tools, and run-time platforms
- Design teams can spend less time developing the infrastructure of an application and more time building differentiating features into the end application
- Targeted Design Platforms from Xilinx and its network of third parties provide system designers with simpler and smarter methodologies for creating FPGA-based system-on-chip solutions

Accelerate Your Designs – Right Out of the Box

The Virtex®-6 FPGA ML605 Evaluation Kit is the Xilinx base platform for developing high-performance applications for markets such as wired telecommunications, wireless infrastructure, broadcast and many others. As a Base Level Targeted Design Platform, this new kit provides an integration of hardware, software, IP and pre-verified reference designs so development can begin right out of the box.

Value-Added Productivity

With everything you need in one package, the Virtex-6 FPGA ML605 Evaluation Kit provides value-added productivity gains that you can't get from à la carte development system assemblies. Functional infrastructure that already look like your basic architecture makes you more productive as you ramp up a new design, enabling quicker time-to-innovation for differentiating your products versus your competition. Multiple design examples provide insight and a kick-start on how to implement system IP to optimize your unique application.

Integrated, Easy-to-Use Solutions

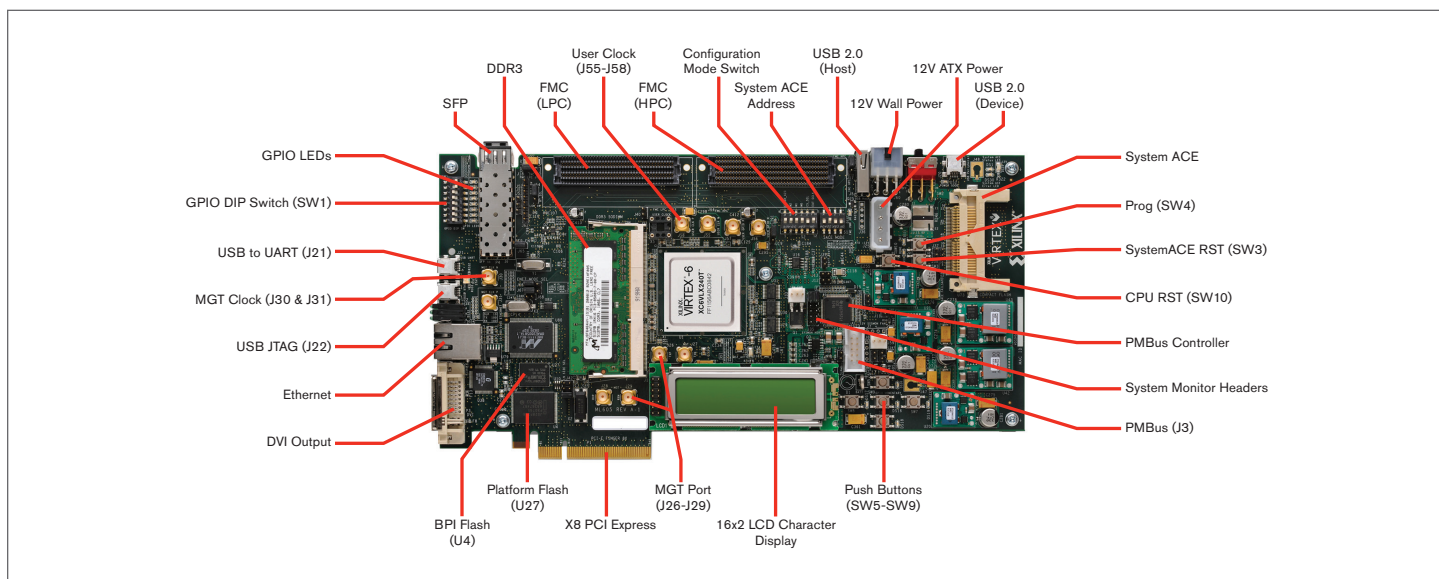
The Virtex-6 FPGA ML605 Evaluation Kit provides a flexible environment for higher-level system design including applications which need to implement features such as DDR3, Gigabit Ethernet, PCI Express®, and other serial connectivity. The ML605 development board includes industry-standard FMC (FPGA Mezzanine Card) connectors for scaling and customization to specific applications and markets. The integration of Xilinx development tools help streamline the creation of systems that adhere to complex requirements.

For more information, support, documents and reference designs, or to purchase, please visit www.xilinx.com/ml605

What's Inside the ML605 Evaluation Kit

- ML605 Base Board with the XC6VLX240T-1FFG1156 FPGA
- ISE® Design Suite Logic Edition: (device-locked) for Virtex-6 LX240T FPGA
- Documentation
 - Hardware Setup Guide
 - Getting Started Guide
 - Hardware User Guide
 - Reference Designs User Guide
- Schematics and PCB files
- Cables: 2 USB, 1 Ethernet
- DVI to VGA adapter
- Reference Designs and Demos
 - Board Diagnostic Demo
 - Base System Reference Design featuring DSP48, Gigabit Ethernet, DDR3 Memory Controller, DVI, System Monitor, and Serial Transceiver integration
 - PCI Express Gen 2 (x4)
 - PCI Express Gen 1 (x8)
 - DDR3 Memory Interface
 - IBERT
 - Multiboot Reference Design, featuring self-test/update and configuration
- Reference designs, demos, documentation, and applications delivered on USB FLASH drive to get started quickly

BOARD FEATURES



Take the NEXT STEP

For more information, support, documents, and reference designs, or to purchase, please visit www.xilinx.com/ml605

Part Number: EK-V6-ML605-G

Corporate Headquarters

Xilinx, Inc.
2100 Logic Drive
San Jose, CA 95124
USA
Tel: 408-559-7778
www.xilinx.com

Europe

Xilinx Europe
One Logic Drive
Citywest Business Campus
Saggart, County Dublin
Ireland
Tel: +353-1-464-0311
www.xilinx.com

Japan

Xilinx K.K.
Art Village Osaki Central Tower 4F
1-2-2 Osaki, Shinagawa-ku
Tokyo 141-0032 Japan
Tel: +81-3-6744-7777
japan.xilinx.com

Asia Pacific Pte. Ltd.

Xilinx, Asia Pacific
5 Changi Business Park
Singapore 486040
Tel: +65-6407-3000
www.xilinx.com



© Copyright 2012 Xilinx, Inc. XILINX, the Xilinx logo, Virtex, Spartan, ISE and other designated brands included herein are trademarks of Xilinx in the United States and other countries. All other trademarks are the property of their respective owners.

Printed in the U.S.A. PN 2424-1