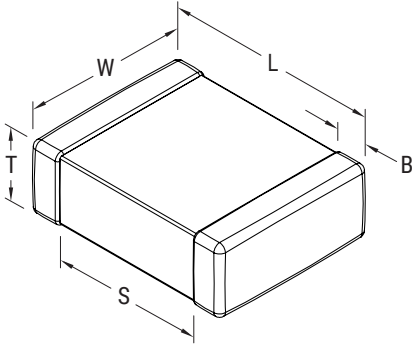


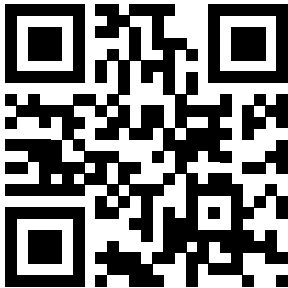
Sample Kit Contents

KEMET Part Number	Case Size	Capacitance	Cap Tolerance	Rated Voltage	T Thickness	Dielectric	Quantity
	EIA/Metric		%	VDC	mm		
C0805C100J5GACTU	0805/2012	10 pF	±5	50	0.78 ±0.10	COG	50
C0805C220J5GACTU	0805/2012	22 pF	±5	50	0.70 ±0.20	COG	50
C0805C181J5GACTU	0805/2012	180 pF	±5	50	0.78 ±0.10	COG	50
C0805C271J5GACTU	0805/2012	270 pF	±5	50	0.78 ±0.10	COG	50
C0805C102J5GACTU	0805/2012	1000 pF	±5	50	0.78 ±0.10	COG	50
C0805C102J1GACTU	0805/2012	1000 pF	±5	100	0.90 ±0.10	COG	50
C0805C103J4GACTU	0805/2012	10000 pF	±5	16	0.78 ±0.10	COG	50
C0805C103J5GACTU	0805/2012	10000 pF	±5	50	0.78 ±0.10	COG	50
C0805C103K1GACTU	0805/2012	10000 pF	±10	100	0.90 ±0.10	COG	50
C0805C271K5RACTU	0805/2012	270 pF	±10	50	0.78 ±0.10	X7R	50
C0805C102K5RACTU	0805/2012	1000 pF	±10	50	0.78 ±0.10	X7R	50
C0805C103K1RACTU	0805/2012	10000 pF	±10	100	0.78 ±0.10	X7R	50
C0805C683K5RACTU	0805/2012	68000 pF	±10	50	0.90 ±0.10	X7R	50
C0805C104K5RACTU	0805/2012	0.1 µF	±10	50	0.78 ±0.10	X7R	50
C0805C104K1RACTU	0805/2012	0.1 µF	±10	100	1.00 ±0.10	X7R	50
C0805C224K1RACTU	0805/2012	0.22 µF	±10	100	1.25 ±0.15	X7R	50
C0805C474K5RACTU	0805/2012	0.47 µF	±10	50	1.00 ±0.10	X7R	50
C0805C105K4RACTU	0805/2012	1.0 µF	±10	16	0.90 ±0.10	X7R	50
C0805C225K8RACTU	0805/2012	2.2 µF	±10	10	1.25 ±0.15	X7R	50
C0805C474K3PACTU	0805/2012	0.47 µF	±10	25	1.25 ±0.15	X5R	50
C0805C105K3PACTU	0805/2012	1.0 µF	±10	25	1.25 ±0.15	X5R	50
C0805C225K8PACTU	0805/2012	2.2 µF	±10	10	1.25 ±0.15	X5R	50
C0805C335K4PACTU	0805/2012	3.3 µF	±10	16	1.25 ±0.15	X5R	50
C0805C475K8PACTU	0805/2012	4.7 µF	±10	10	1.25 ±0.20	X5R	50
C0805C106K9PACTU	0805/2012	10 µF	±10	6.3	1.25 ±0.15	X5R	50
C0805C106K8PACTU	0805/2012	10 µF	±10	10	1.25 ±0.15	X5R	50
C0805C106K4PACTU	0805/2012	10 µF	±10	16	1.25 ±0.15	X5R	50
C0805C226M9PACTU	0805/2012	22 µF	±20	6.3	1.25 ±0.15	X5R	50

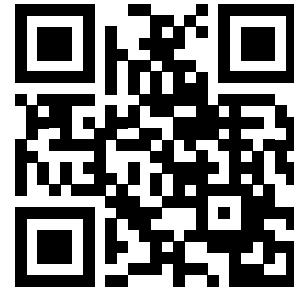
Dimensions – Millimeters (Inches)



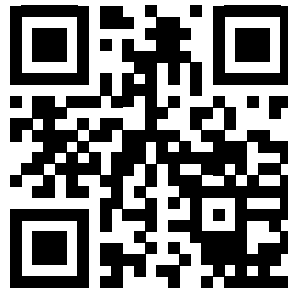
Case Size (in.)	Case Size (mm)	L Length	W Width	T Thickness	B Bandwidth	S Separation Minimum	Mounting Technique
0805	2012	2.00 (0.079) ±0.20 (0.008)	1.25 (0.049) ±0.20 (0.008)	See Table Above	0.50 (0.02) ±0.25 (0.010)	0.75 (0.030)	Solder Wave or Solder Reflow



www.kemet.com/COG



www.kemet.com/X7R



www.kemet.com/X5R