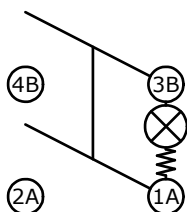
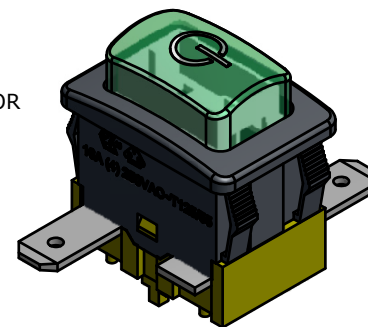
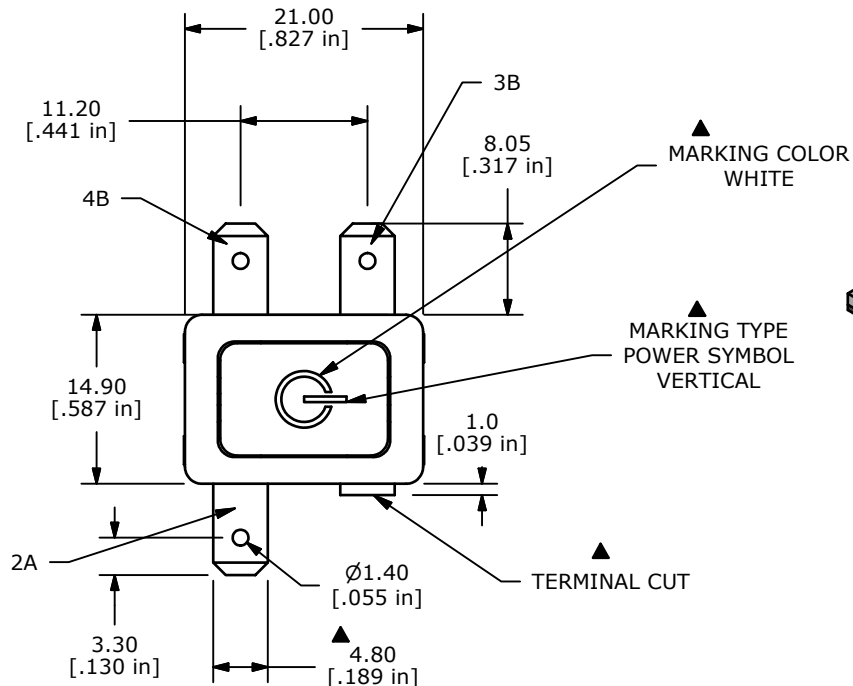


PANEL THICKNESS	X
0.50-1.20	19.0
1.20-2.00	19.3
2.00-3.00	19.6

RECOMMENDED
PANEL CUT-OUT



▲ OFF-ON
CIRCUIT: SPST



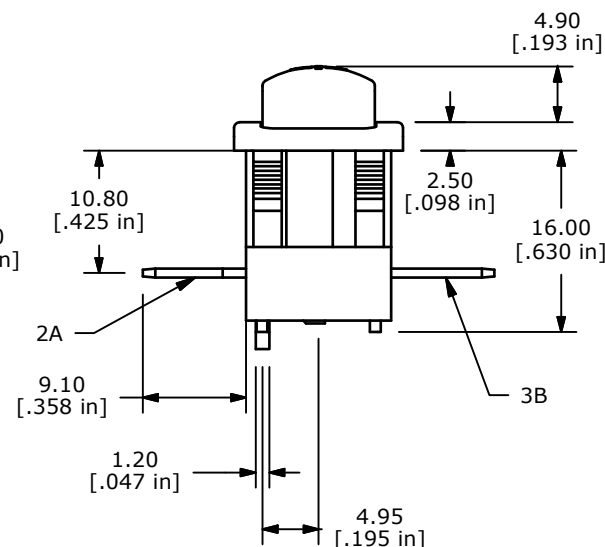
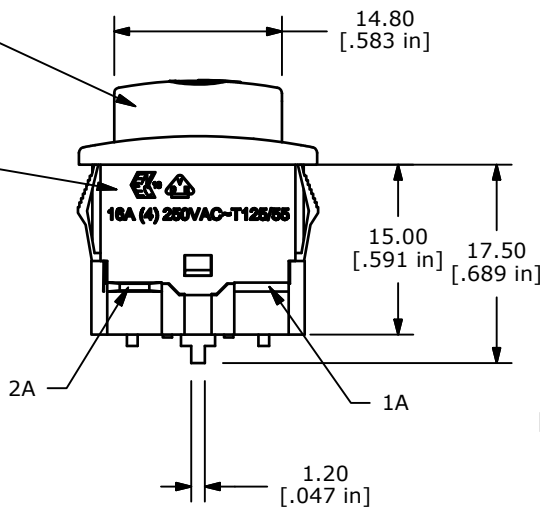
▲ MARKING COLOR
WHITE

▲ MARKING TYPE
POWER SYMBOL
VERTICAL

▲ TERMINAL CUT

▲ BUTTON COLOR
GREEN
FULL ILLUMINATION

▲ HOUSING COLOR
BLACK



NOTES:

1. ALL DIMENSIONS IN MM [INCH]
2. GENERAL TOLERANCE: X.X = ±0.4
X.XX = ±0.25
- ▲3. TERMINAL: HORIZONTAL TAB, 4.8mm
- ▲4. RATING: 16A 125/250VAC [UL,CSA]
16A (4) 250V ~ T125/55 [VDE, ENCEC]
5. ELECTRICAL LIFE: 6000 CYCLES UL
10,000 CYCLES VDE
6. CONTACT RESISTANCE: 20m OHM INITIAL MAX
7. INSULATION RESISTANCE 100M OHM MIN @ 500VDC
8. DIELECTRIC STRENGTH 1,000 VAC FOR 1 MINUTE
9. ▲DENOTE CRITICAL PARAMETER
10. ILLUMINATION: 12V
- ▲11. 2002/95/EC (ROHS) COMPLIANT



B	21535	Change Housing Locking Tab	8/4/14	rc
A	19959	RELEASE FOR PRODUCTION	5/20/11	BGL
REV	PCR NO	DESCRIPTION	DATE	BY

TITLE PA451C1021-134				
SCALE	DATE	DR	DWG	REV
2:1	5/20/2011	BGL	14-PA451C1021134	B

THE INFORMATION CONTAINED IN THIS DOCUMENT IS PROPRIETARY
TO E-SWITCH AND IS NOT TO BE COPIED OR TRANSFERRED