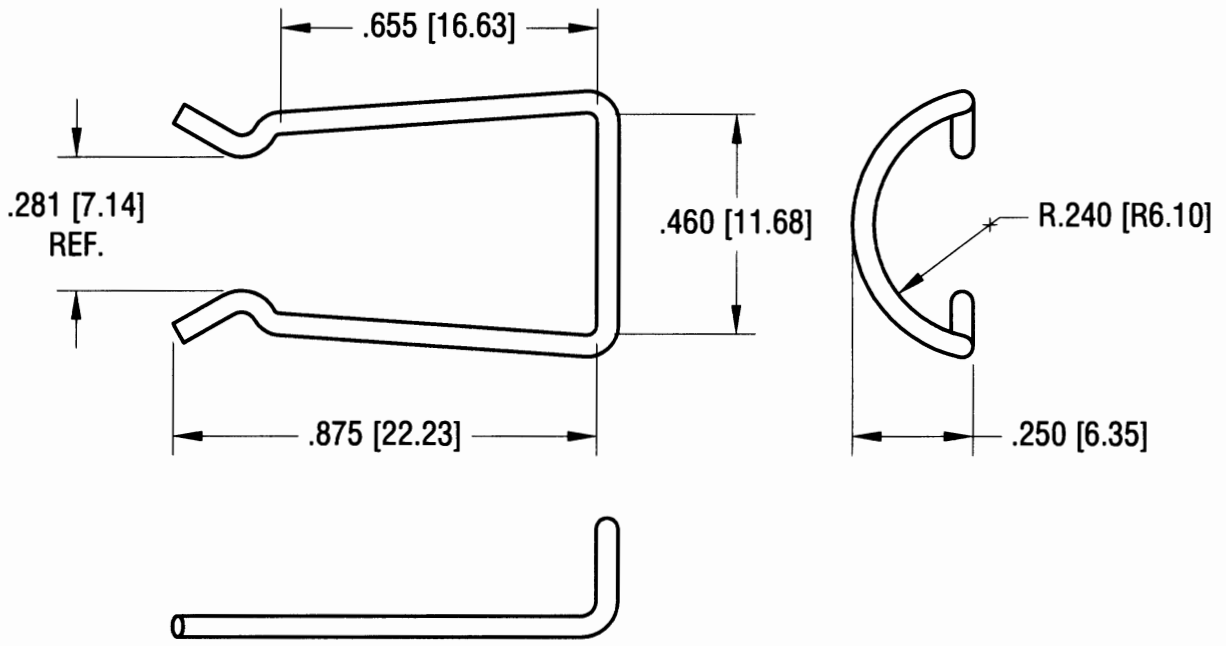


THIS DOCUMENT IS THE PROPERTY OF
KEYSTONE ELECTRONICS CORP. AND
SHALL NOT BE REPRODUCED, DISTRIBUTED
OR USED AS A BASIS FOR MANUFACTURE
WITHOUT PRIOR WRITTEN PERMISSION
FROM KEYSTONE ELECTRONICS CORP



9.26.05 CHANGE AS PER ECN 05-071

A

KEYSTONE ELECTRONICS CORP.			
ASTORIA, N.Y. 11105-2017			
PART NAME			
BATTERY RETAINER CLIP, 'AA'			
MATERIAL			
.045 [1.14] DIA. STAINLESS STEEL			
FINISH		DRN BY	DATE
-		BOONE	10.7.81
		APP'D	SCALE
		<i>[Signature]</i>	2.5X
TOLERANCES		INCH	[MM]
DECIMAL		± .010	[± 0.25]
ANGULAR		± 1°	
UNLESS OTHERWISE SPECIFIED		CODE	DWG NO.
		C	61

DATE DESCRIPTION REV.