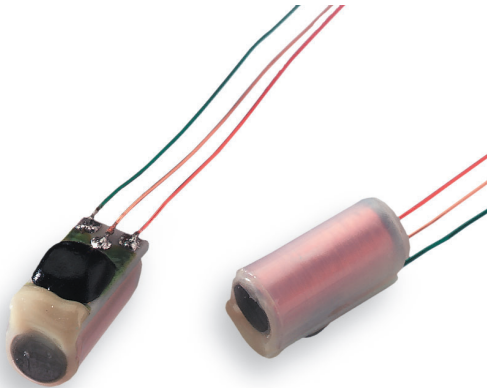


# model **5300**

## ACTIVE TELECOIL

technical datasheet



### > features <

- RFI Suppression (Radio Frequency Interference)
- Integrated preamplifier
- ESD protection
- Plastic sleeve to protect coil
- Optional sleeveless version
- Insulated leads

### > specifications <

#### Mechanical Data

Length .....	5.33 mm (max.)
Width .....	2.54 mm (max.)
Height .....	3.32 mm (max.)

#### Electrical Data

Parameter	Min.	Typ.	Max.	Units
Current		70	100	μA
Output Voltage	350	580	800	mVDC
Output Impedance@1 kHz		4000		Ω
Magnetic Sensitivity				
200 Hz	-68.0	-65.0	-62.0	dB re 1V
1000 Hz	-54.5	-52.5	-50.5	dB re 1V
5000 Hz	-49.0	-47.0	-45.0	dB re 1V
Peak Output Swing	±38			mV

Test Conditions for electrical data:

Supply Voltage .....	1.30 VDC
Temperature .....	25°C
Magnetic Field .....	1 A/m
Major Axis .....	Parallel to magnetic field

#### Environmental Data

Operating Temperature .....	-10°C to 40°C
Storage Temperature .....	-20°C to 70°C

#### Maximum Ratings

Supply Voltage .....	5 VDC (min. 1.1 VDC)
Power Dissipation .....	25 mW

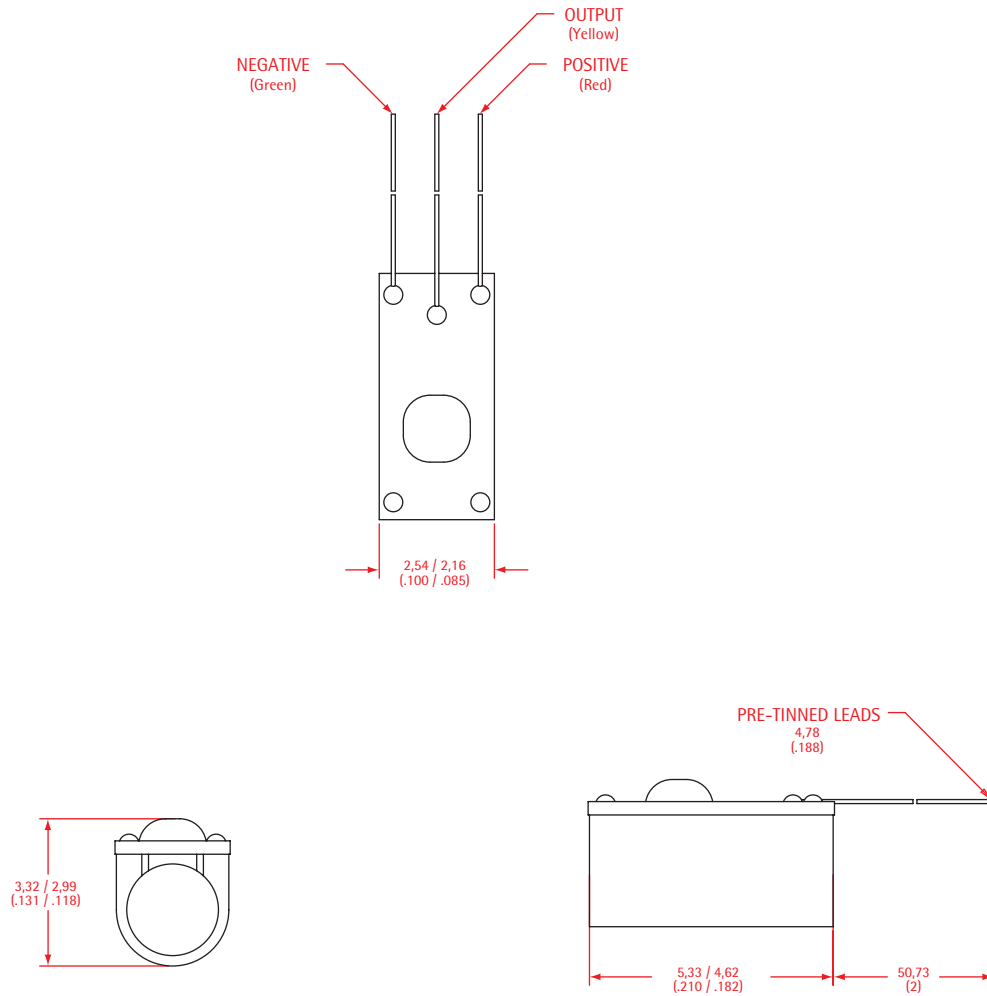
#### Construction

Leads .....	36 AWG solid insulated
Coil Sheath .....	Plastic

Specifications subject to change.

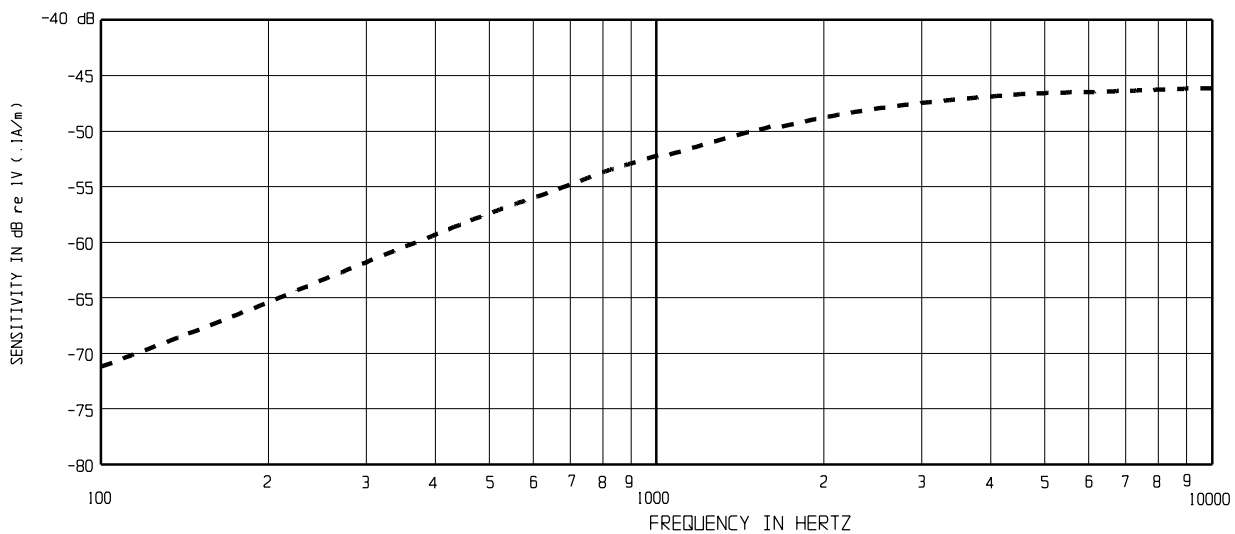
## dimensions (sleeved version)

Dimensions shown  
in millimeters (inches  
in parentheses).





## normal responsive curve



## > ordering <

How to order— Specify part number 5300-153069 for sleeved and 5300-153081 for sleeveless. Customized Model 5300 active telecoil products are available, subject to minimum order requirements, contact your Knowles sales representative for a quote.