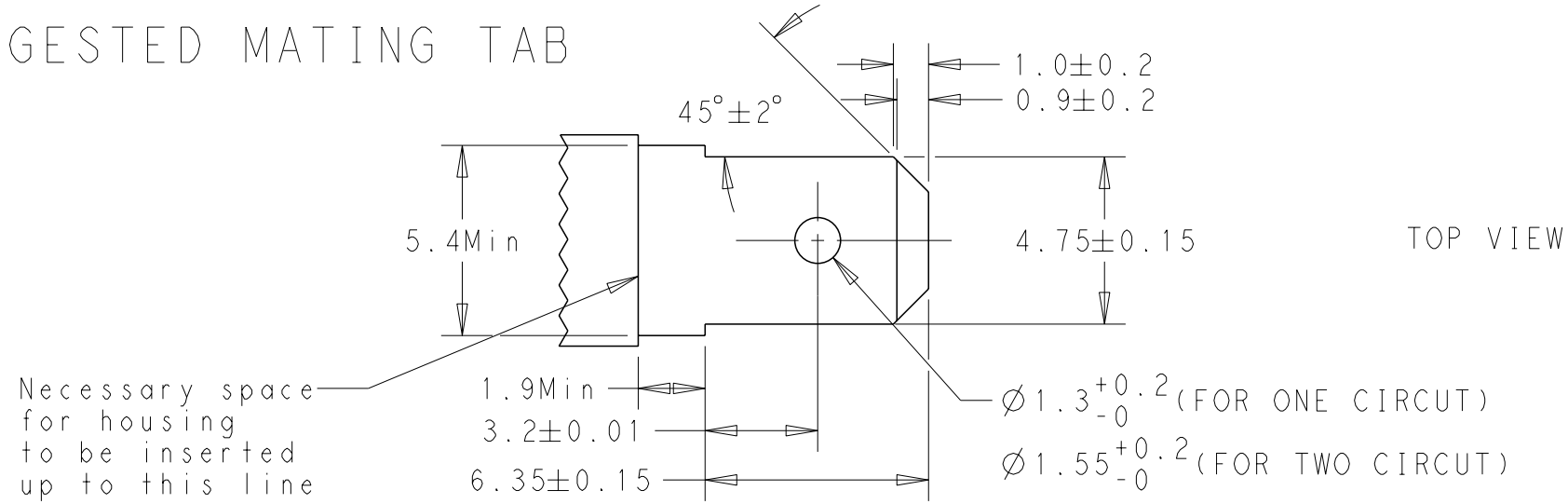


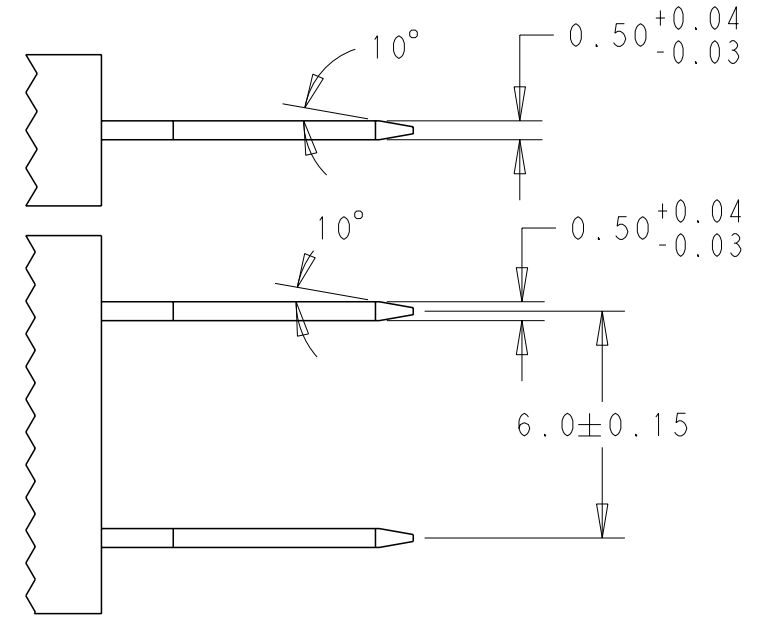
THIS DRAWING IS UNPUBLISHED. RELEASED FOR PUBLICATION 20  
 © COPYRIGHT 20 BY - ALL RIGHTS RESERVED.

REVISIONS					
P	LTR	DESCRIPTION	DATE	DWN	APVD
A5	ECR-18-014557		13SEP18	LP	TD

SUGGESTED MATING TAB



TOP VIEW

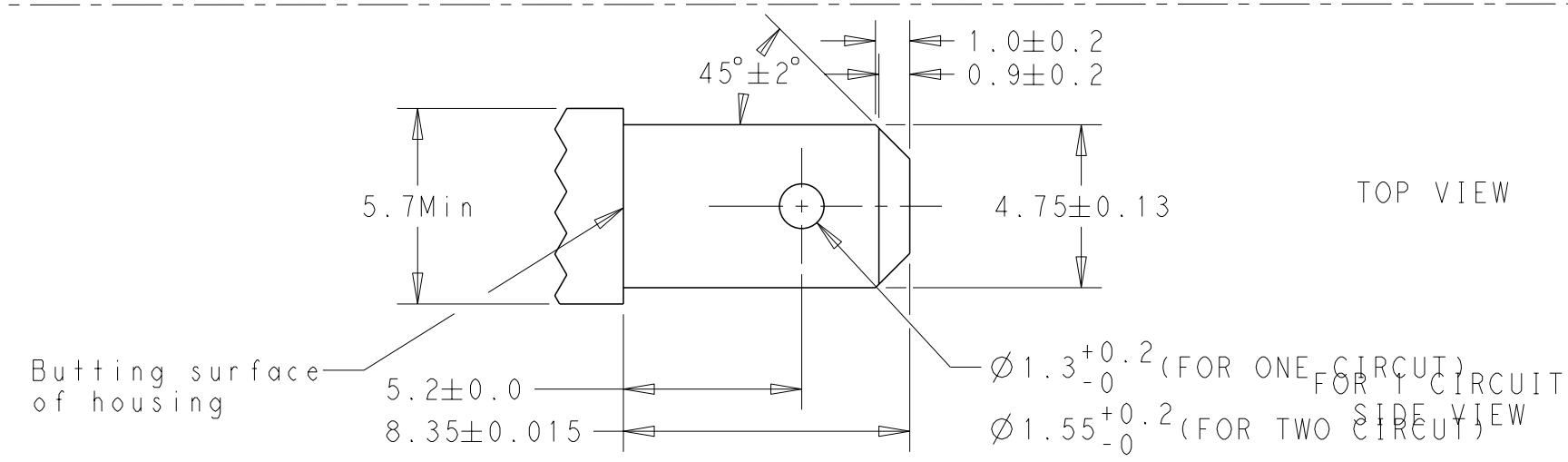


FOR 1 CIRCUIT SIDE VIEW

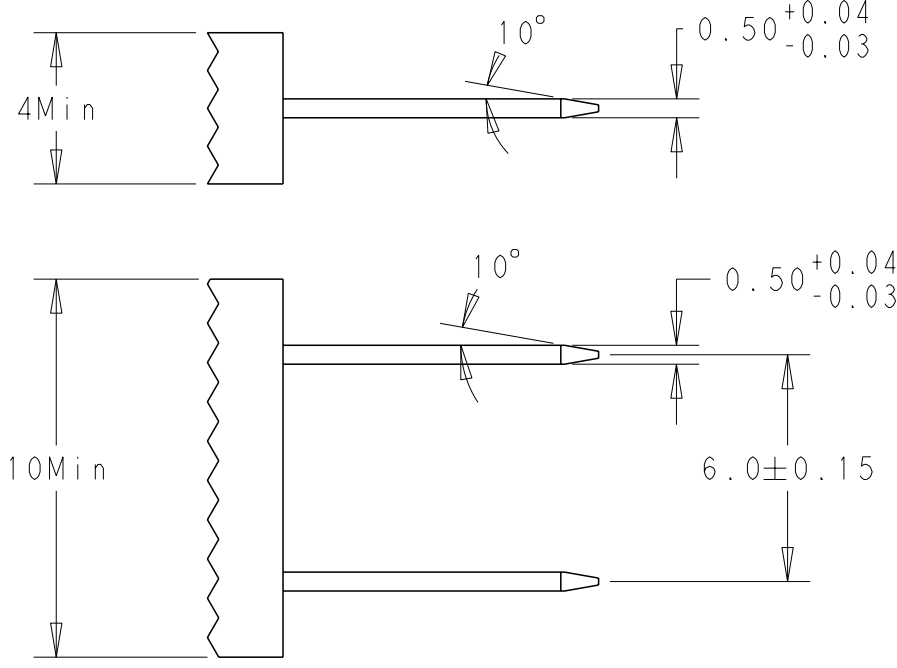
FOR 2 CIRCUIT SIDE VIEW (6MM PITCH)

Shapping of the tab's hole must not exceed 0.08mm

TYPE A (When using tab shoulder for butting)



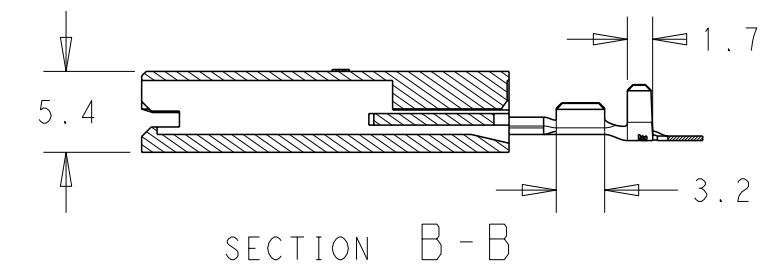
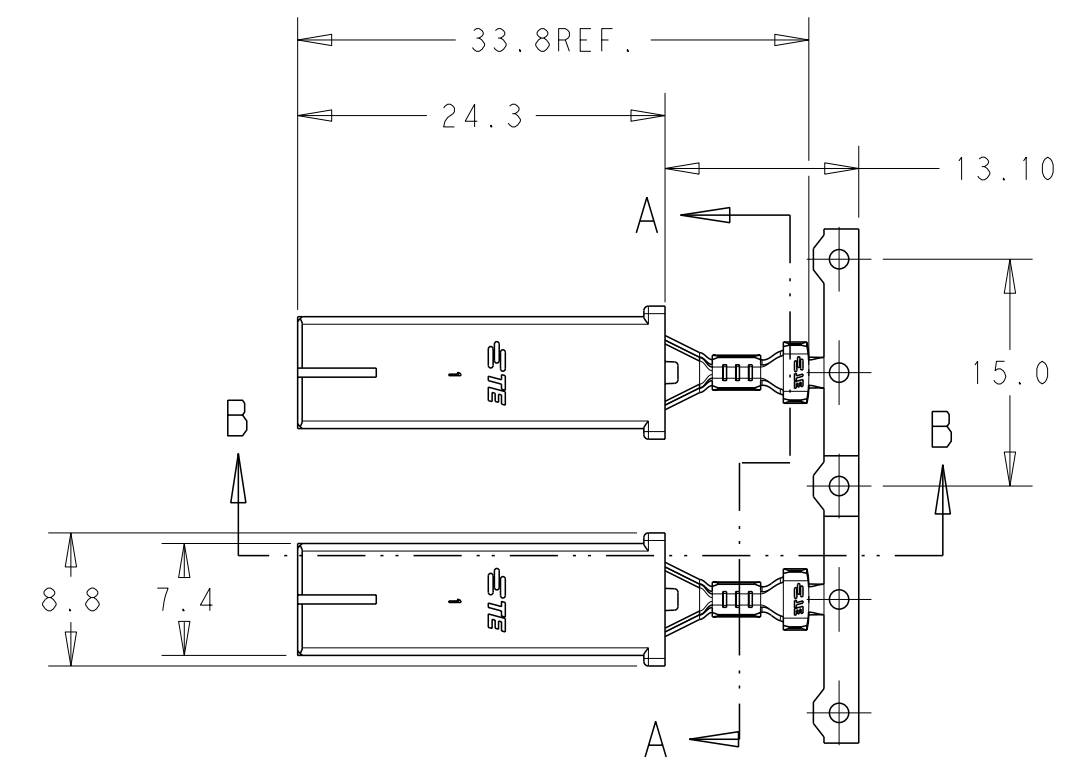
TOP VIEW



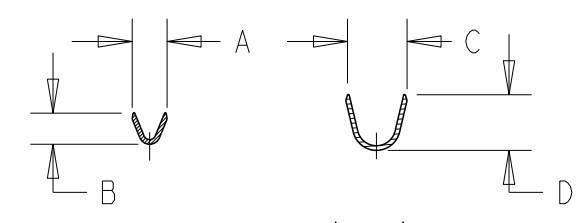
FOR 2 CIRCUIT SIDE VIEW (6MM PITCH)

Shapping of the tab's hole must not exceed 0.08mm

TYPE B (When using resin, etc. for butting)



SECTION B-B



SECTION A-A

NOTE:

1. HOUSING MATERIAL, NYLON 6/66, GLASS-FIBRE. UL94V-0.
2. GWT 750°C VERSION ACCORDING TO ICE 60335-1.
3. CONTACT MATERIAL, TIN PLATED BRASS.

4.5 REF.	4.6	3.2 REF.	3.0	2.29-3.30	20-16	2299286-2
3.4 REF.	4.1	2.1 REF.	2.3	1.52-2.79	24-20	2299286-1
DIM D	DIM C	DIM B	DIM A	INSULATION(MM)	WIRE SIZE(AWG)	P/N

THIS DRAWING IS A CONTROLLED DOCUMENT.

DWN	LEI PAN	08FEB2017	 TE Connectivity	NAME POD-LOK 187 STR. ASSY.
CHK	TIM DING	08FEB2017		
APVD	TIM DING	08FEB2017		
PRODUCT SPEC	108-106262			
APPLICATION SPEC	114-106262		SIZE	A2
MATERIAL	-		CAGE CODE	-
FINISH	-		DRAWING NO	G-2299286
			RESTRICTED TO	-
			CUSTOMER DRAWING	SCALE 2:1
			SHEET 1 OF 1	REV A5